

MMI

- MM Swing Extension Framework -

Pascal Bruegger, Philipp Locher, Reto Koenig

Department of Informatics
University of Fribourg, Switzerland

June 27, 2006

- 1 Introduction and Idea
- 2 Framework
- 3 MMI-Button
- 4 Application
- 5 Conclusion

Situation:

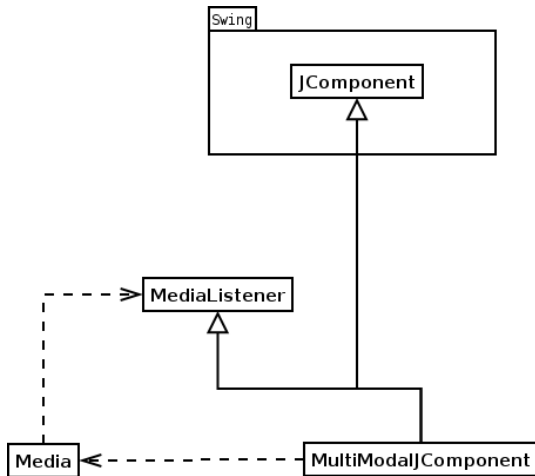
There are plenty of graphical libraries to build wonderful graphical user interfaces.

Question:

Is there any rich Multi Modal Interface which is as easy integratable as the GUI components to control an application?

Goal of the project:

An MM (Multi Modal) Extension Framework for an existing graphic library.



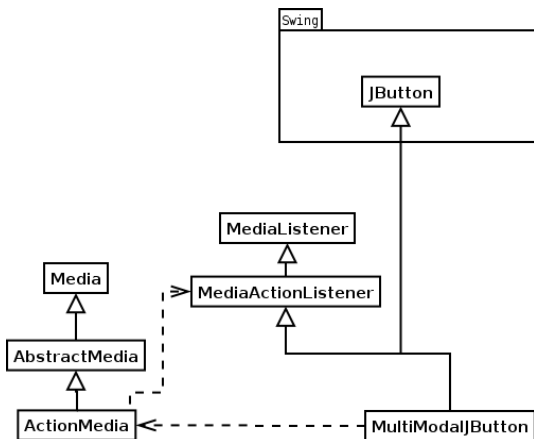
MMI-Button – a concrete example implementation

To show the concept of the framework in more detail we implemented a concrete example, the so called MMI-Button.

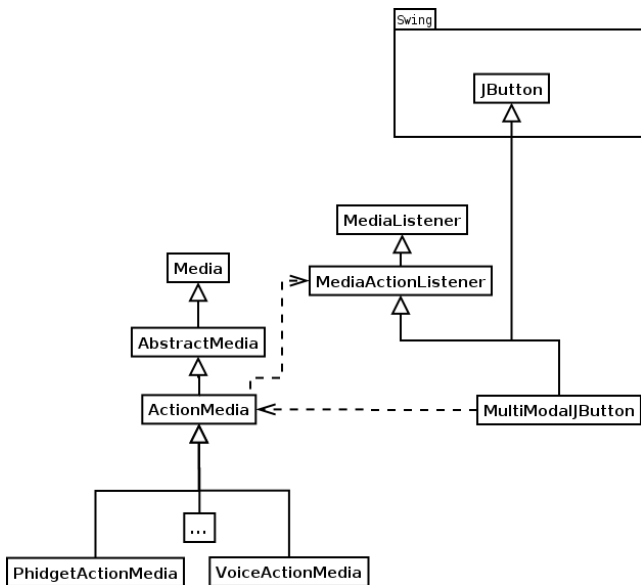
Why button?

- The most important control component
- Based on a button other controls can be created, e.g. Navigation-Control

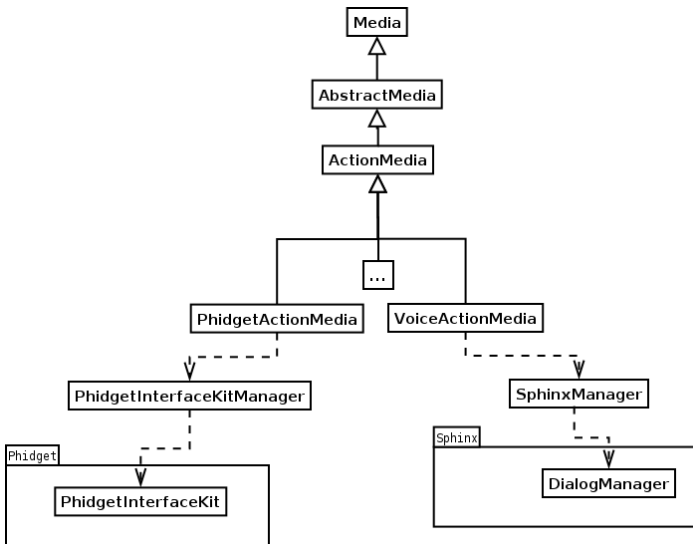
MMI-Button



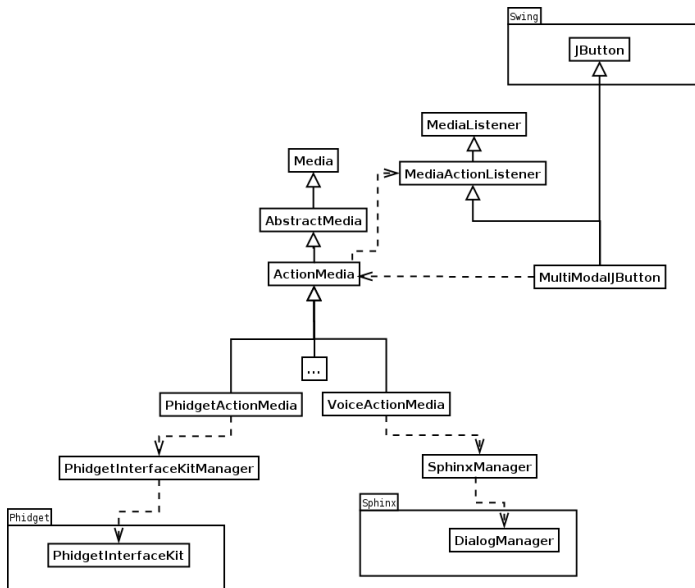
MMI-Button



MMI-Button



MMI-Button



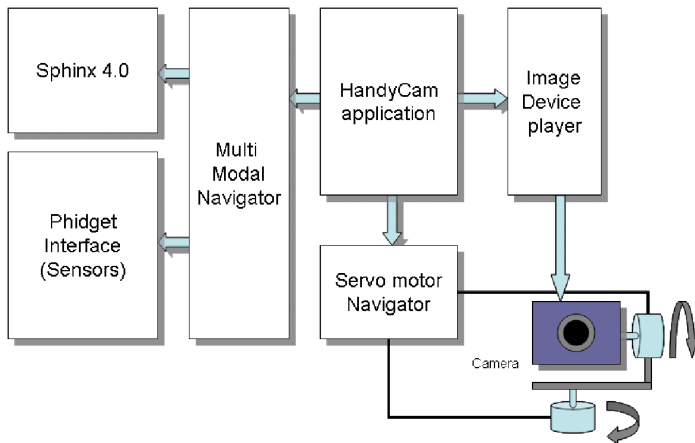
RUNNING-DEMO

PROGRAMMING-DEMO

Application: Handycam

To prove the concept and to show the new gained abilities of a button in reality we implemented a little application.

Application



DEMO

Conclusion and Questions